

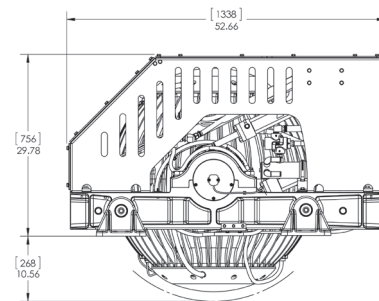
**The Seakeeper 26** is designed to achieve up to 70 to 90% roll reduction on vessels up to 100 tons. Multiple units can be fitted for larger vessels. The Seakeeper 26 requires only modest electrical power, has no outside appendages, and can be installed off centerline, if necessary. Its computerized control and vacuum technology make it the first truly practical, and only modern, anti-roll gyro.



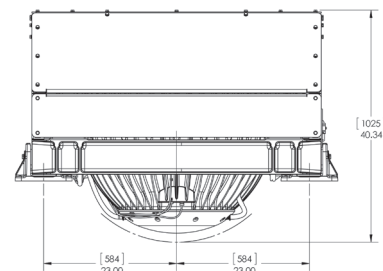
### SPECIFICATIONS

<b>Rated Speed</b>	5,000 RPM
<b>Angular Momentum at Rated RPM</b>	26,000 N-M-S
<b>Anti-Rolling Torque at Rated RPM</b>	56,000 N-M
<b>Spool-up Time to Rated RPM</b>	90 minutes (5,000 RPM)
<b>Spool-up Time to Stabilization</b>	70 minutes (4,250 RPM)
<b>Spool-up Power</b>	
AC Motor:	3000 Watts Max
DC Control:	240 Watts
<b>Operating Power</b>	
AC Motor (sea state dependent):	1000-3000 Watts
DC Control:	240 Watts
AC Input Voltage:	208-230 VAC (+/- 10%), 50/60 Hz, Single Phase
DC Input Voltage:	24 VDC @ 10 Amps
<b>Sea Water Supply to Heat Exchanger</b>	30 LPM (8 GPM) maximum 15 LPM (4 GPM) minimum
<b>Maximum Ambient Air Temperature</b>	0°-60° C (32°-140° F)
<b>Weight</b>	1342 kg (2960 lbs) bolt-in installation
<b>Gyro Dimensions</b>	Length x Width x Height 1.34 L x 1.42 W x 1.03 H (meters) 52.7 L x 55.9 W x 40.4 H (inches)
<b>Noise Output</b>	At full operating RPM, steady state noise measured in the factory at a 1 meter distance measures 72-74 dBC (sound levels may be higher during spool-up).

### PORT VIEW



### FRONT VIEW



### TOP VIEW

