

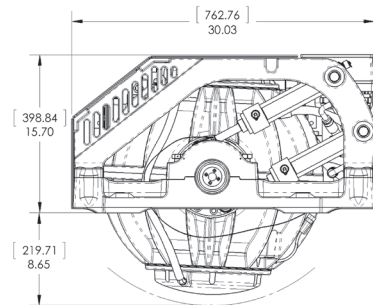
The Seakeeper 5 is designed to achieve 70 to 90% roll reduction on boats up to 20 tons (control algorithms optimized for vessels under 50 ft). The Seakeeper 5 requires only modest electrical power, has no outside appendages, and can be installed off centerline, if necessary. Its computerized control and vacuum technology make it the first truly practical, and only modern, anti-roll gyro.

SPECIFICATIONS

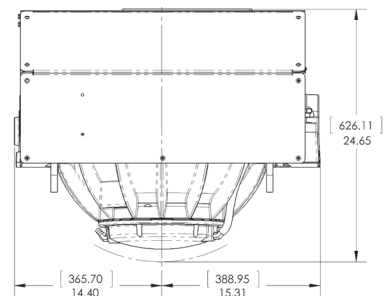
Rated Speed	10,700 RPM
Angular Momentum at Rated RPM	5,000 N-M-S
Anti-Rolling Torque at Rated RPM	13,089 N-M
Spool-up Time to Rated RPM	50 minutes (10,700 RPM)
Spool-up Time to Stabilization	35 minutes (9,035 RPM)
Spool-up Power	
AC Motor	2000 Watts Max
DC Control	180 Watts
Operating Power	
AC Motor (sea state dependent):	1500-2000 Watts
DC Control:	180 Watts
AC Input Voltage:	110-230 VAC (+/- 10%), 50/60 Hz, Single Phase
DC Input Voltage:	12 VDC @ 15 Amps
Sea Water Supply to Heat Exchanger	30 LPM (8 GPM) maximum 15 LPM (4 GPM) minimum
Ambient Air Temperature	0°-60° C (32°-140° F)
Weight	358 kg (790 lbs) bolt-in installation
Envelope Dimensions	Length x Width x Height 0.765 L x 0.757 W x 0.628 H (meters) 30.1 L x 29.8 W x 24.7 H (inches)
Noise Output	At full operating RPM, steady state noise measured in the factory at a 1 meter distance measures 70-72 dBC (sound levels may be higher during spool-up).



PORT VIEW



FRONT VIEW



TOP VIEW

